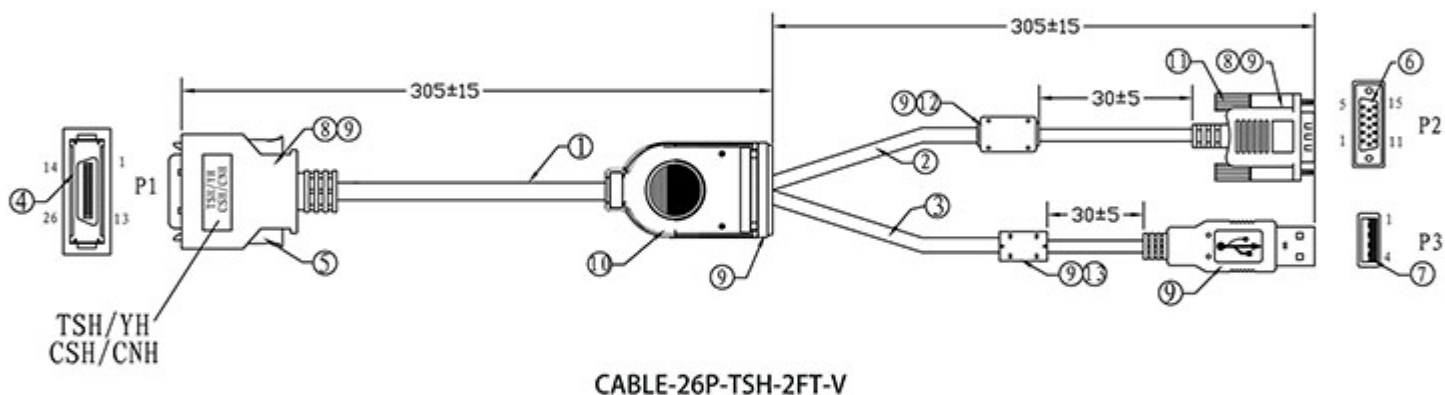


CABLE-26P-TSH-2FT-V 26-PIN TSH/CSH/CNH/GSH Series Monitor VGA and USB Input Cable - 2 FEET



Description

26-PIN **Short Length (2 FOOT)** TSH/CSH/CNH/GSH Monitor Input Cable with **ONLY VGA & USB** for 700YH, 700TSH, 700CSH, 702CSH, 702GSH, 709CNH, 802YH, 802TSH, 1020YH, 1020TSH, 1022YH, 1022TSH, 1029CNH, 1219GNC, 1219GNH, 1219GNS, 1569GNH. Note: Only works with the above mentioned models. Not for TSV Series or 1029GNH. Monitor cable connects All **VGA Input**.

This 2 foot cable only contains **VGA and USB connectors** for simplified installation.

Related Products:

700YH

700TSH

700CSH

702CSH

702GSH

709CNH

802YH

802TSH

1020YH

1020TSH

1022YH

1022TSH

1029CNH

1219GNC

1219GNH

1219GNS

1569GNH

Features

This 2 foot cable only contains VGA and USB connectors for simplified installation.

Package Contents

26-PIN Short Length (2 FOOT) TSH/CSH/CNH/GSH Monitor VGA & USB Input Cable * This 2 foot cable only contains VGA and USB connectors for simplified installation.