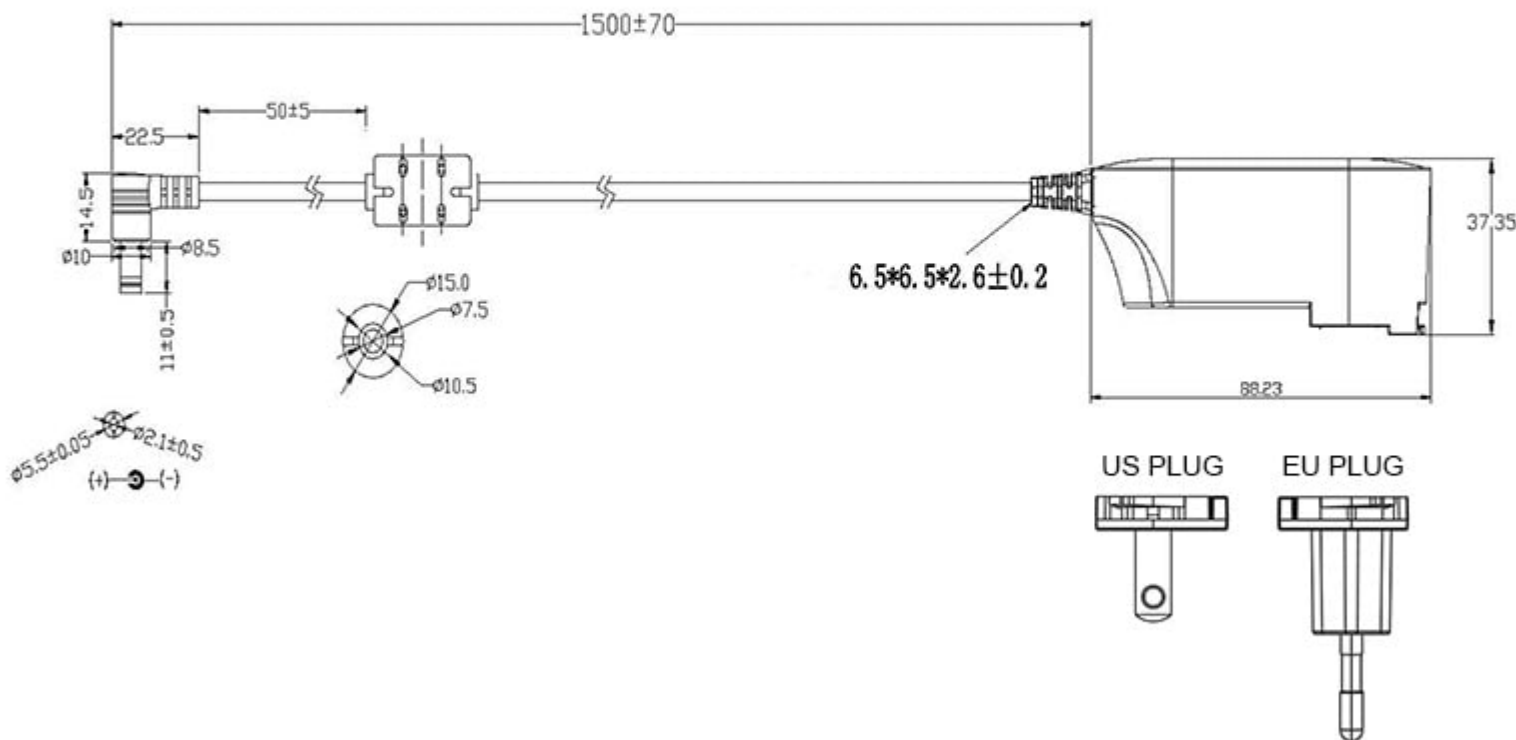


ACA-M12-EU AC Power Adaptor for All Xenarc Monitors Except 1040 1200 1500 Series - 12V DC Output - Euro Plug



Description

AC Power Adaptor for All Xenarc Monitors Except 1040 1200 1500 Series - 12V DC Output - Euro Plug. **12V DC Output, DC Plug Size 2.1 by 5.5mm. European Plug** (Works with all Xenarc Monitors except 1040, 1200, and 1500 Series)

Package Contents

European Plug AC Power Adaptor for All Xenarc Monitors

Specification

European Plug - 2V DC Output, DC Plug Size 2.1 by 5.5mm.Â Â