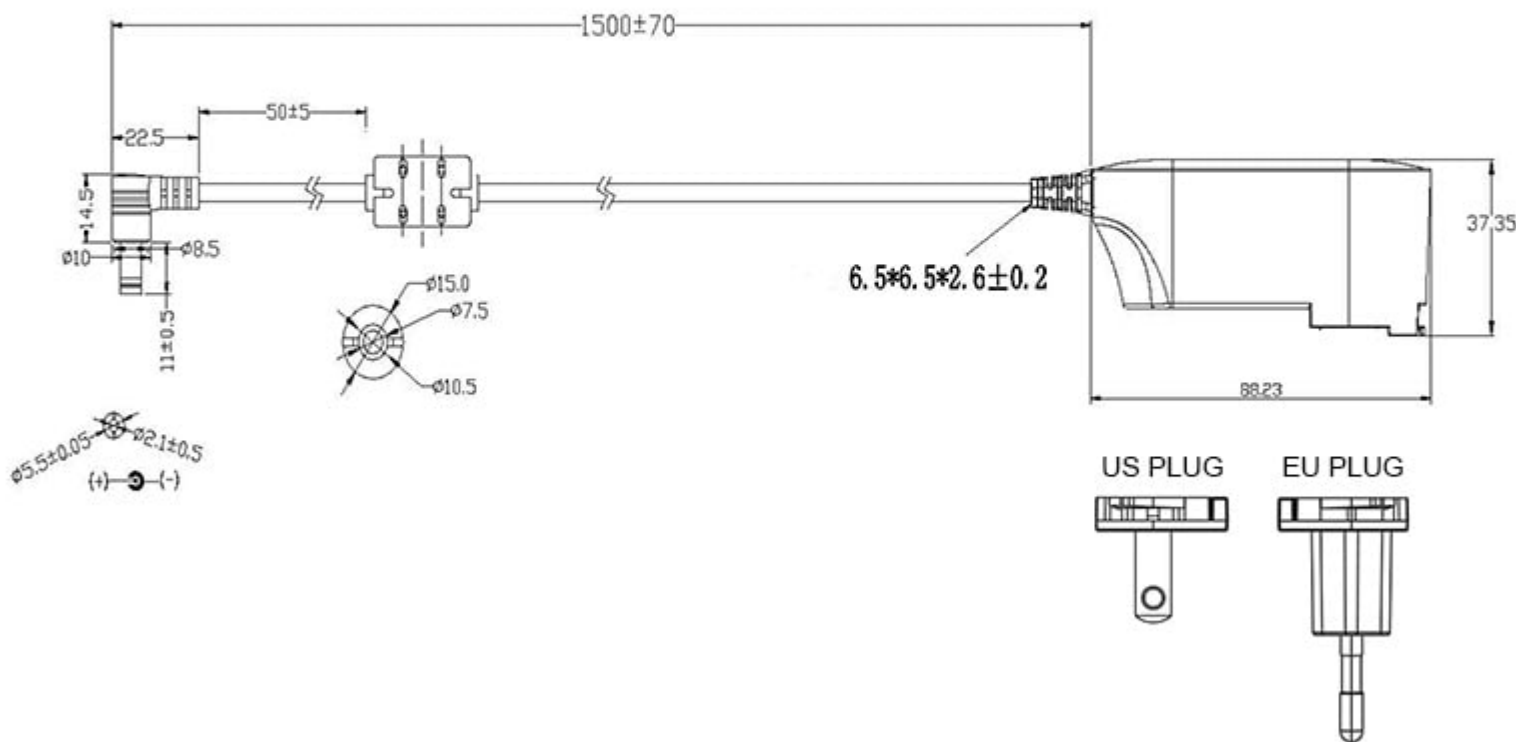


ACA-M12-US AC Power Adaptor for Xenarc Monitors - 12V DC Output - US Plug - For All Xenarc Rugged Monitors Except 1040, 1200, and 1500 Series



Description

AC Power Adaptor for Xenarc Monitors.12V DC Ouput, DC Plug Size 2.1 by 5.5mm. US Plug.
(Works with all Xenarc Monitors except 1040, 1200, and 1500 Series)

Package Contents

US Plug AC PowerÂ Adaptor for Xenarc Monitors

Specification

US Plug - 12V DC Output, DC Plug Size 2.1 by 5.5mm